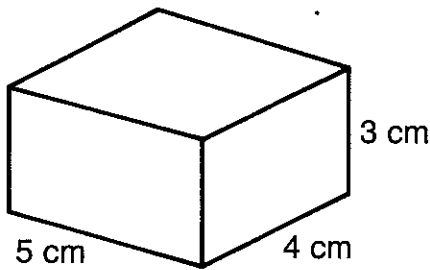


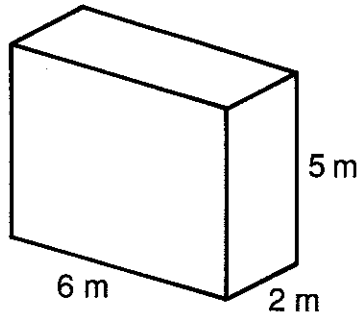
# What Happened to Zelda After She Swallowed Two Nickels, Three Dimes, and a Quarter?

Give the SURFACE AREA of each prism. Find your answer in the answer columns and notice the two letters next to it. Write these letters in the spaces over the exercise number at the bottom of the page.

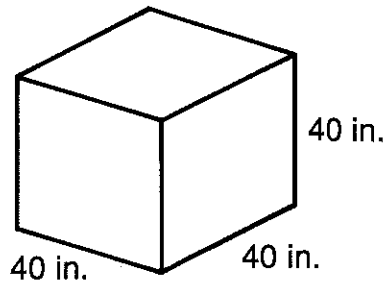
①



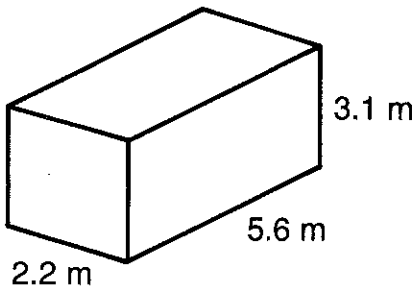
②



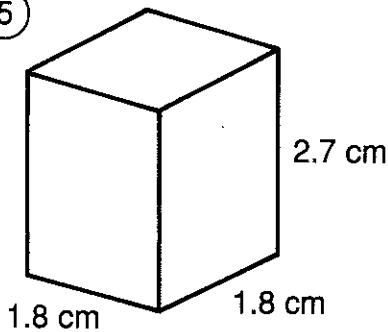
③



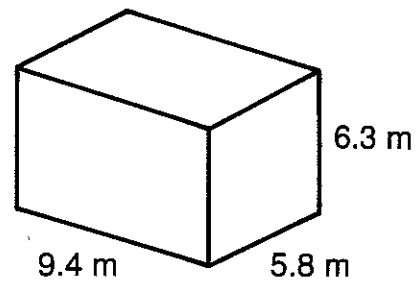
④



⑤



⑥



⑦

A rectangular storage box is 12 in. wide, 15 in. long, and 9 in. high. How many square inches of colored paper are needed to cover the surface of the box?

⑧

A teacher made a pair of foam dice to use in math games. Each cube measured 10 in. on a side. How many square inches of fabric were needed to cover the two cubes?

Ⓧ 73 m<sup>2</sup>

## Answers

Ⓧ 8,560 in.<sup>2</sup>

Ⓧ 23.12 cm<sup>2</sup>

Ⓧ 94 cm<sup>2</sup>

Ⓧ 318.26 m<sup>2</sup>

Ⓧ 25.92 cm<sup>2</sup>

Ⓧ 846 in.<sup>2</sup>

Ⓧ 86 m<sup>2</sup>

Ⓧ 9,600 in.<sup>2</sup>

Ⓧ 1,050 in.<sup>2</sup>

Ⓧ 104 m<sup>2</sup>

Ⓧ 1,200 in.<sup>2</sup>

Ⓧ 300.56 m<sup>2</sup>

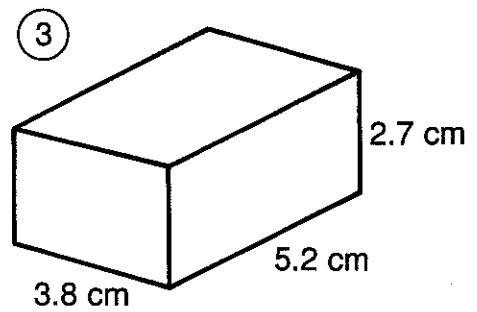
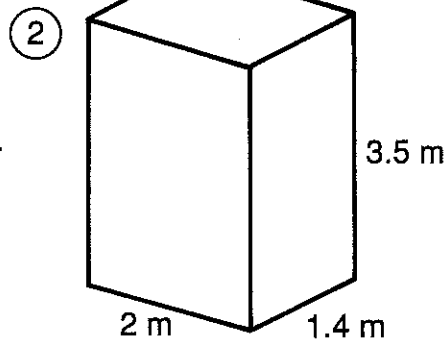
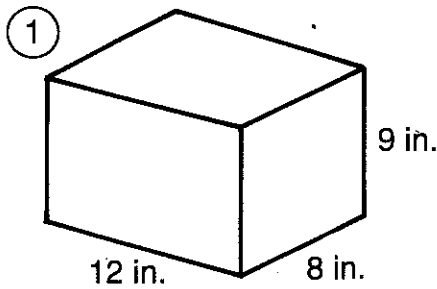
Ⓧ 85 cm<sup>2</sup>

4	2	7	1	5	8	3	6								

# What Movie Is about a Kid Who Ran Away from Home with His Bicycle?

Find each answer in the answer columns and notice the two letters next to it. Write these letters in the spaces over the exercise number at the bottom of the page.

I. Find the volume of each rectangular prism.



II. Solve.

- ④ A classroom is 26 ft wide, 32 ft long, and 9 ft high. What is the volume of the room in cubic feet?
- ⑤ A swimming pool is 20.6 m long, 8.5 m wide, and has an average water depth of 1.7 m. Find the volume of water needed to fill the pool.
- ⑥ If all the gold that has been produced in the last 500 years could be melted to form a single cube, each side would measure about 16 m. How many cubic meters of gold is this?
- ⑦ A refrigerator is 3 ft wide, 2.5 ft deep, and 6 ft high. The walls and other parts of the refrigerator take up  $20 \text{ ft}^3$ . How many cubic feet are left for food?
- ⑧ Krispy Kritters Cereal used to come in a box with a volume of  $2,850 \text{ cm}^3$ . However, The Krispy Kritters Co. designed a new larger box 22.5 cm wide, 6.2 cm deep, and 30 cm high. How many more cubic centimeters will the new box hold than the old box?
- ⑨ An aquarium weighs 22.5 lb when empty. The aquarium is 30 in. long, 14 in. wide, and is filled with water to a depth of 18 in. Water weighs 0.036 pound per cubic inch. How much does the aquarium weigh when it is full of water?

## ANSWERS

- (RU)  $985 \text{ cm}^3$     (ST)  $6,118 \text{ ft}^3$     (WI)  $4,096 \text{ m}^3$     (LA) 314.56 lb    (TH)  $864 \text{ in.}^3$   
 (NN)  $297.67 \text{ m}^3$     (CH)  $53.352 \text{ cm}^3$     (IN)  $23.5 \text{ ft}^3$     (GO)  $1,335 \text{ cm}^3$     (LE)  $311.27 \text{ m}^3$   
 (WI) 294.66 lb    (ES)  $25 \text{ ft}^3$     (NE)  $9.8 \text{ m}^3$     (PA)  $3,986 \text{ m}^3$     (TH)  $7,488 \text{ ft}^3$

8	2	6	1	4	7	3	9	5							

# ☆ TRIVIA TEST ☆

1. What Is the Best Way to Paint a Rabbit?

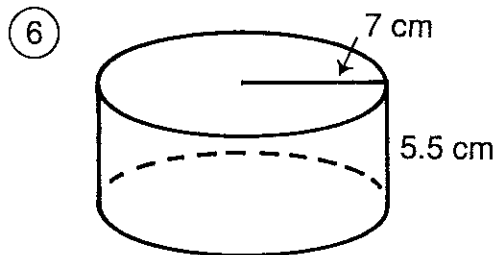
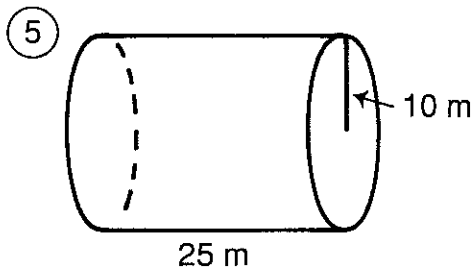
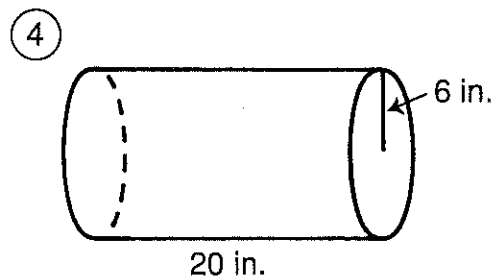
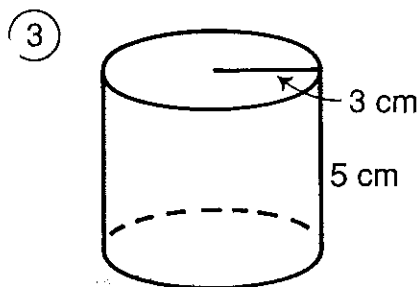
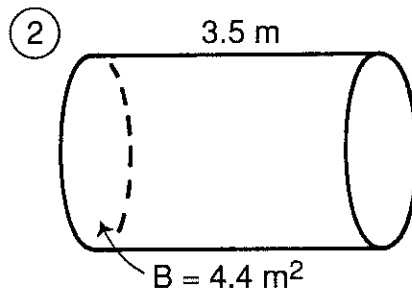
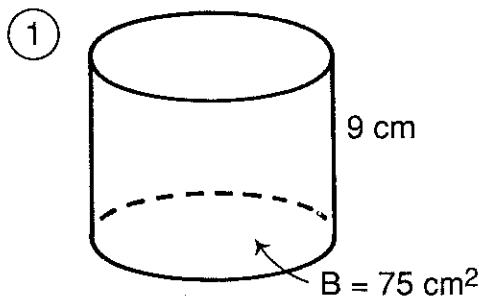
4   7   2   8   8   3   11   5   10   1   11   3   6

2. What Candy Do Kids Eat on the Playground?

11   5   9   5   10   10   1   7   5   9   5   10

Do each exercise and find your answer in the answer column. Write the letter of the answer above the exercise number each time it appears in the code. Use 3.14 for  $\pi$ .

I. Find the volume of each cylinder.



⑦  $r = 8$  in.  
 $h = 3$  in.

⑧  $r = 2.5$  mm  
 $h = 60$  mm

⑨  $d = 10$  m  
 $h = 7.2$  m

II. Solve.

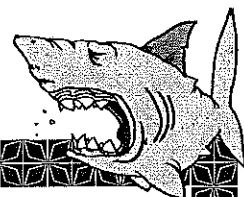
⑩ Shawn is making a candle using a cylindrical mold with a radius of 2 cm and a height of 30 cm. How many cubic centimeters of wax are needed for the candle?

⑪ A mug in the shape of a cylinder has a base with a radius of 4 cm. How many milliliters of liquid does it hold if filled to a height of 9 cm? (Hint: 1 cm<sup>3</sup> holds 1 mL.)

## Answers

- (M) 814.13 cm<sup>3</sup>
- (C) 565.2 m<sup>3</sup>
- (N) 381.36 mL
- (A) 141.3 cm<sup>3</sup>
- (B) 14.8 m<sup>3</sup>
- (I) 602.88 in.<sup>3</sup>
- (P) 675 cm<sup>3</sup>
- (U) 7,490 m<sup>3</sup>
- (H) 1,177.5 mm<sup>3</sup>
- (R) 452.16 mL
- (W) 2,260.8 in.<sup>3</sup>
- (L) 382.8 cm<sup>3</sup>
- (T) 15.4 m<sup>3</sup>
- (Y) 846.23 cm<sup>3</sup>
- (O) 717.8 in.<sup>3</sup>
- (S) 376.8 cm<sup>3</sup>
- (G) 1,224.5 mm<sup>3</sup>
- (E) 7,850 m<sup>3</sup>
- (D) 614.2 m<sup>3</sup>

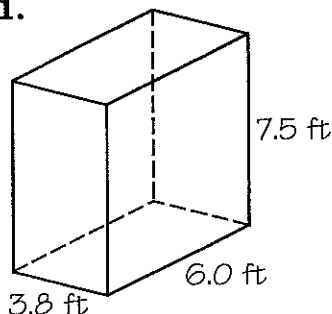
# Why Don't Sharks Eat Clowns?



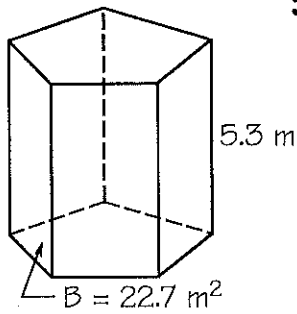
Cross out the letters above each correct answer (some answers are rounded). When you finish, write the remaining letters in the spaces at the bottom of the page.

Find the volume of the prism.

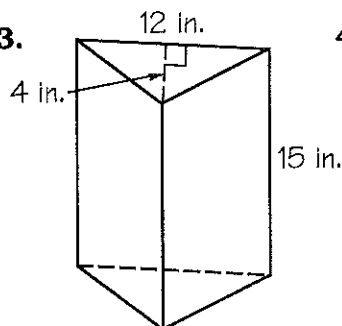
1.



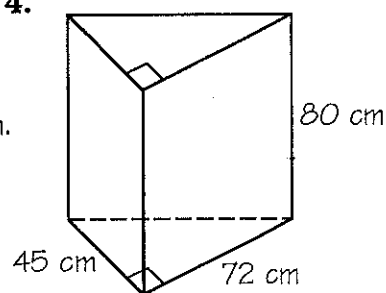
2.



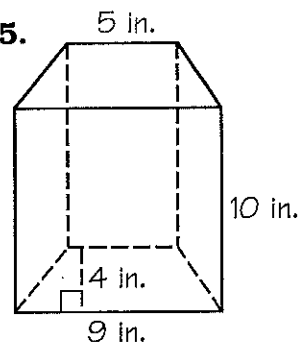
3.



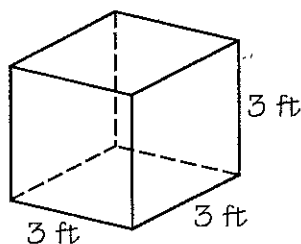
4.



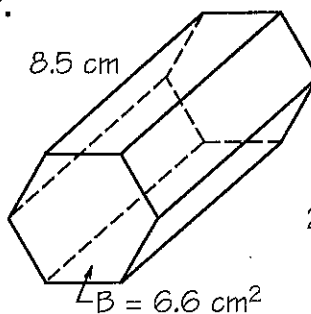
5.



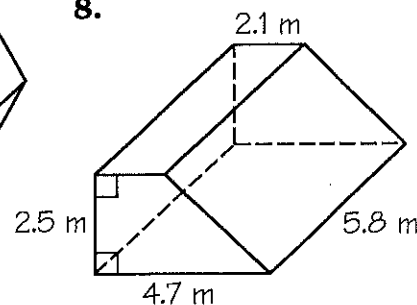
6.



7.



8.

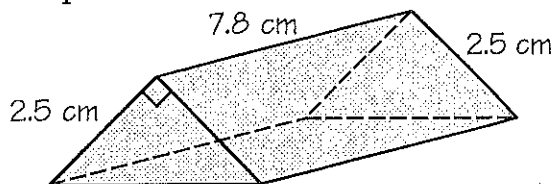


Solve.

9. Bob's bathtub is 5.0 ft long and 2.2 ft wide. Bob fills the tub to a depth of 0.8 ft. A cubic foot of water is about 7.48 gallons. How many gallons are used to fill the tub?

11. The optical prism shown below is made of glass having a density of 4.3 grams per cubic centimeter. Find the mass of the prism.

10. An unsharpened pencil is in the shape of a hexagonal prism with base area of  $54 \text{ mm}^2$  and length of 20 cm. Find the volume in cubic millimeters. (1 cm = 10 mm)



<b>MA</b> 280 in. <sup>3</sup>	<b>BO</b> 10,800 mm <sup>3</sup>	<b>TH</b> 52.5 m <sup>3</sup>	<b>AT</b> 56.1 cm <sup>3</sup>	<b>PR</b> 360 in. <sup>3</sup>	<b>EY</b> 183 ft <sup>3</sup>
<b>TA</b> 11,300 mm <sup>3</sup>	<b>KE</b> 104.8 g	<b>PE</b> 171 ft <sup>3</sup>	<b>ST</b> 107.5 g	<b>OP</b> 65.8 gal	<b>EF</b> 132,400 cm <sup>3</sup>
<b>ST</b> 27 ft <sup>3</sup>	<b>UN</b> 325 in. <sup>3</sup>	<b>DO</b> 129,600 cm <sup>3</sup>	<b>BO</b> 49.3 m <sup>3</sup>	<b>NY</b> 72.4 gal	<b>IT</b> 120.3 m <sup>3</sup>
<div style="border: 1px solid black; width: 100%; height: 20px; margin-top: 5px;"></div>					